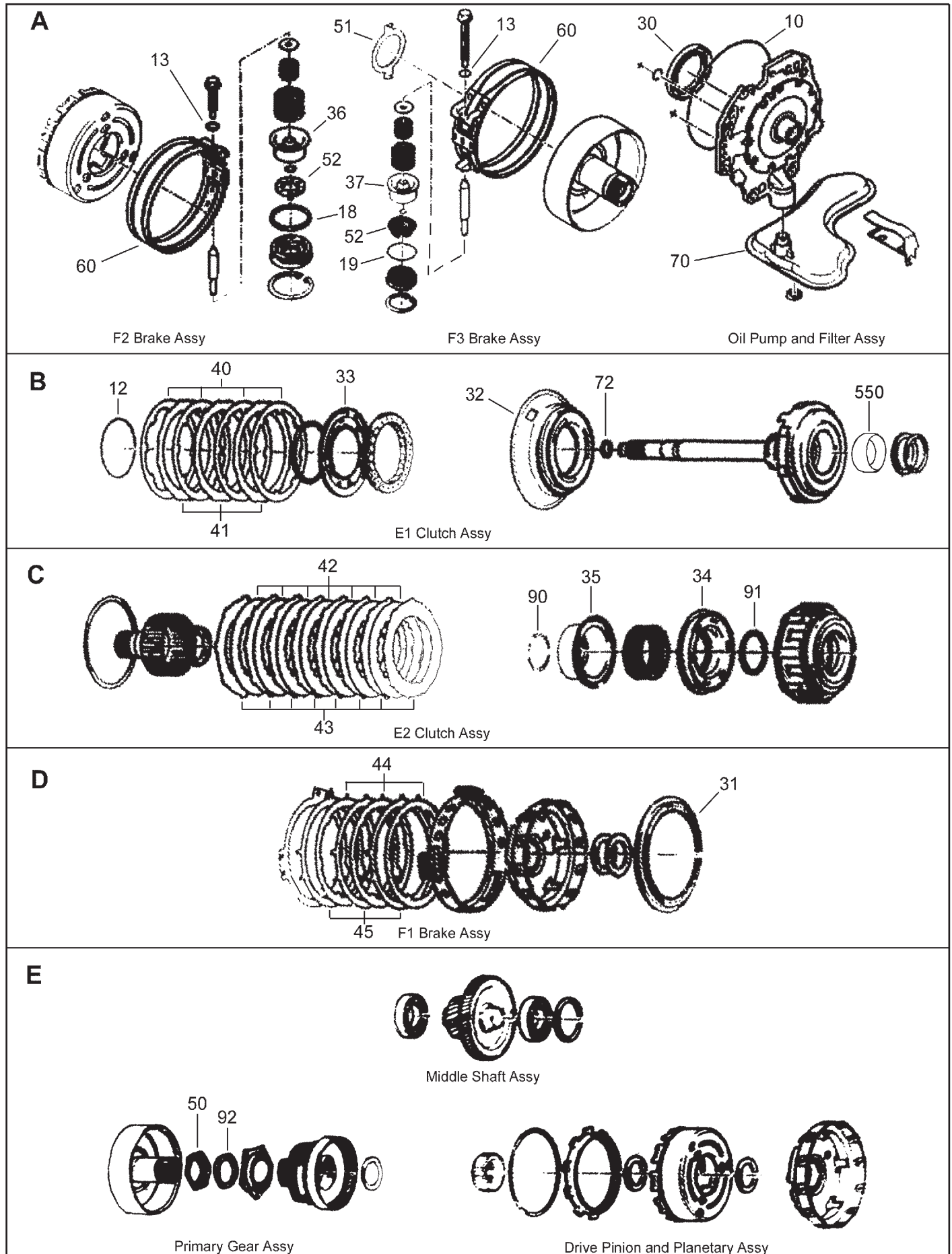
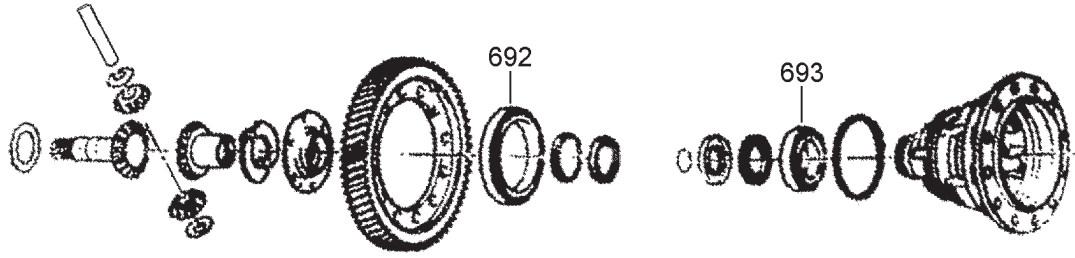


# RENAULT DPO, PEUGEOT CITROEN AL4 4 SPEED FWD (Electronic Control)



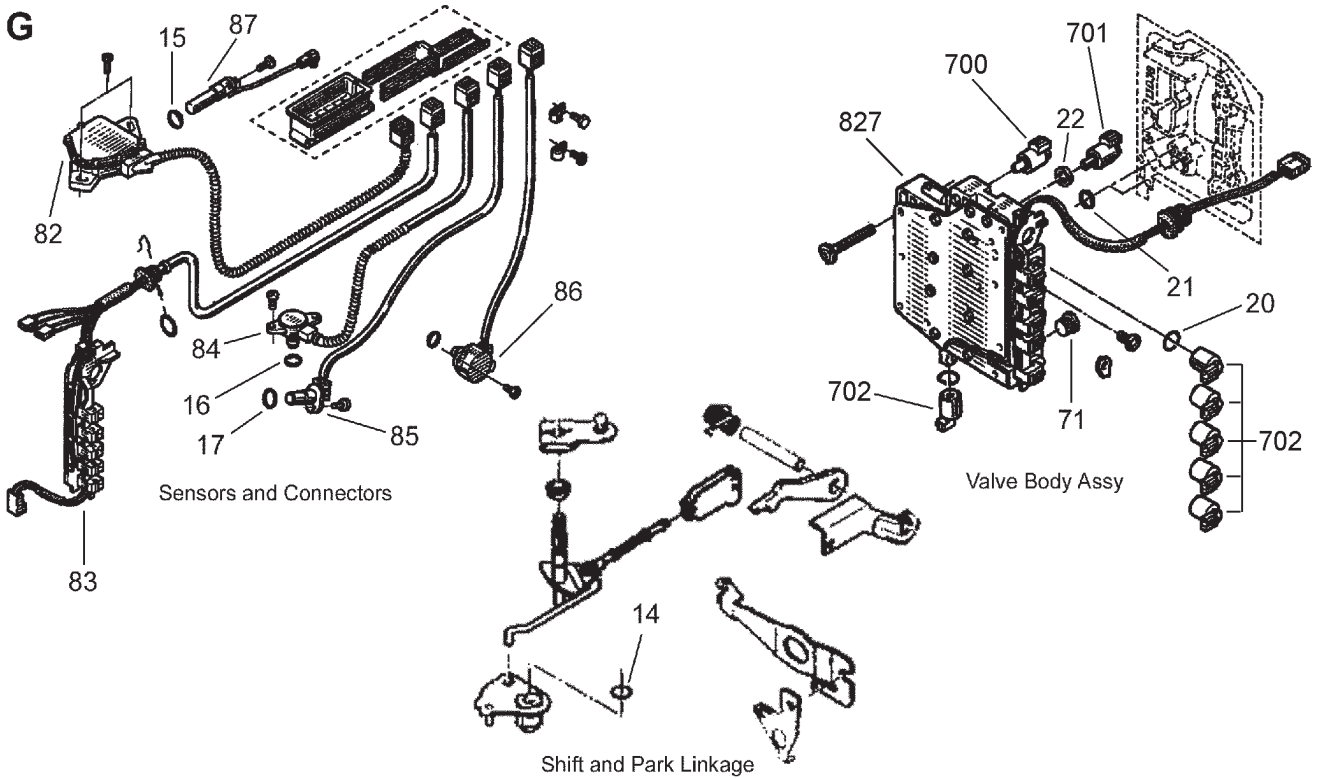
# RENAULT DPO, PEUGEOT CITROEN AL4 4 SPEED FWD (Electronic Control)

F



Differential Assy

G

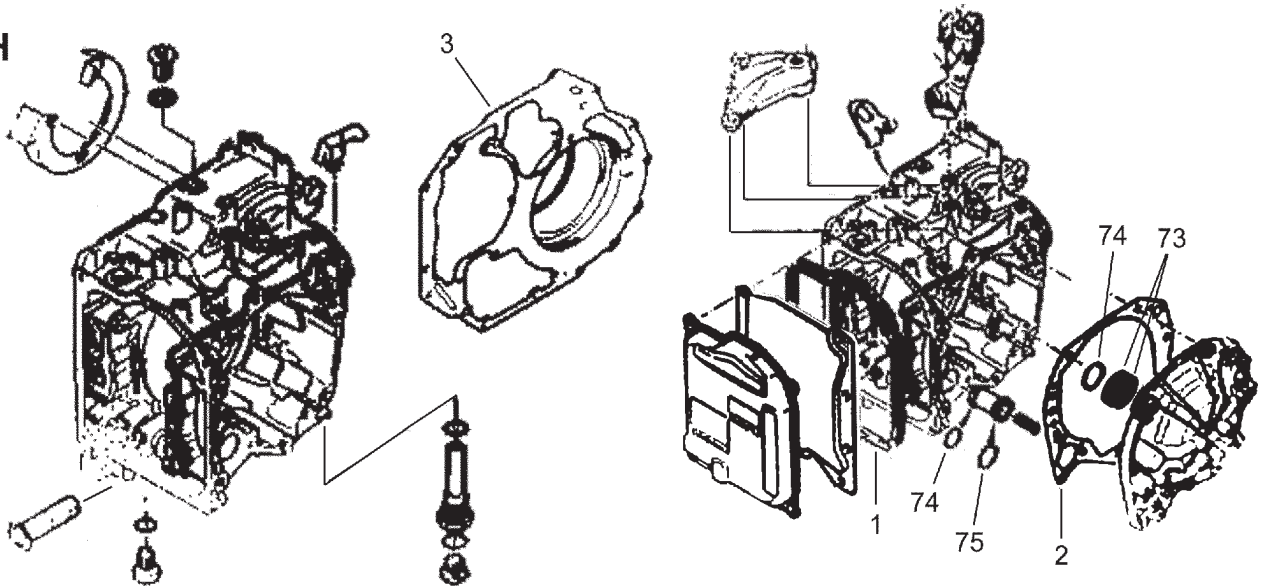


Sensors and Connectors

Valve Body Assy

Shift and Park Linkage

H



Transmission Casing